

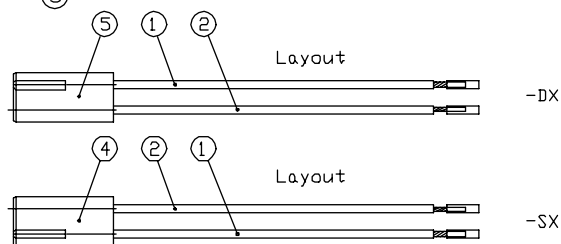
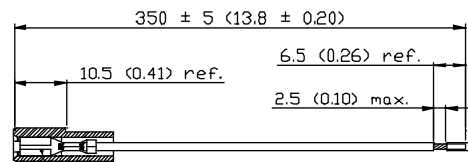
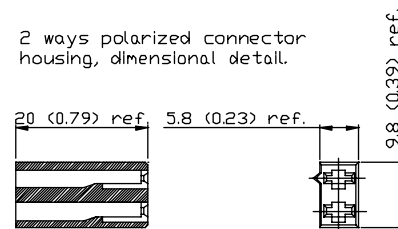
GATE LEADS

Ident No.	Device Series	Description
6443.2112.AA	51, 91, 111MT..KB	2 DX connectors with yellow and white leads
6443.2113.AA	52, 92, 112MT..KB	1 SX + 1 DX connectors with yellow and white leads
6443.2114.AA	53, 93, 113MT..KB 54, 94, 104MT..KB	1 SX + 2 DX connectors with yellow and white leads

Components

- 1) Tinned copper stranded cable, UL 758, Style 1558, AWG 22 (0.32 sqmm) lay 19 x 0.16, ETFE insulation yellow colour, ext. dia. 1.25 mm, temp. rating 125°C.
- 2) Same as point 1, but with white colour insulation. Concerning the configurations in which white cable is requested, it must be connected where is not placed the polarization key.
- 3) Receptacle faston terminal with locking lance, for 2.8 x 0.8 tab (series 110) ref. PN. AMP 150571-2 or equivalent.
- 4) 2 ways polarized connector housing, as shown on dimensional detail (the represented version refers to left 'SX' conn. housing). Raw material: PBT Ciba Crastine SK645FR, black colour.
- 5) Connector housing as point 4), right 'DX' version.

2 ways polarized connector housing, dimensional detail.



All dimensions are in millimeters (inches)

BARRIERS

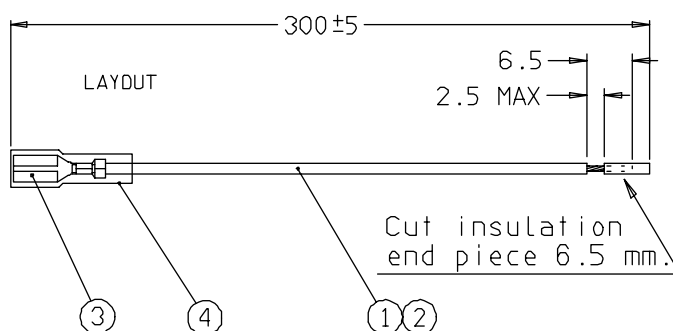
Ident No. 6444.0211.AA for all MT..KB Series

Barriers Mounting Instructions
Coat uniformly the groove on the plastic box with a silicon adhesive. Insert the barriers into the groove on the plastic box. Cure the silicon adhesive according to its technical notes. We suggest the use of DOW CORNING Silastic 744RTV (time curing 30 min. at room temperature).

All dimensions are in millimeters (inches)

CATHODE AND GATE LEADS

Ident No.	Device Series	Description
6443.2115.AA	IRKT.. - IRKU.. - IRKV..	2 yellow gate leads + 2 red cathode leads
6443.2116.AA	IRKH.. IRKL..	1 yellow gate leads + 1 red cathode leads
	Without auxiliary cathode	
6443.2117.AA	IRKT..	2 yellow gate leads
6443.2118.AA	IRKH.. - IRKL..	1 yellow gate lead



COMPONENTS

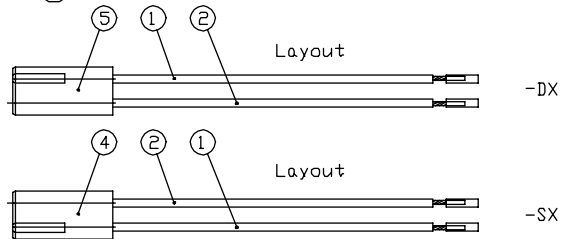
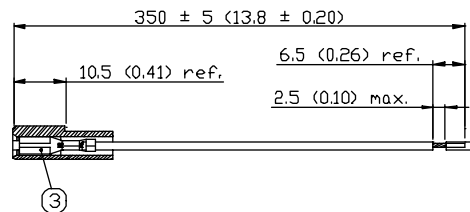
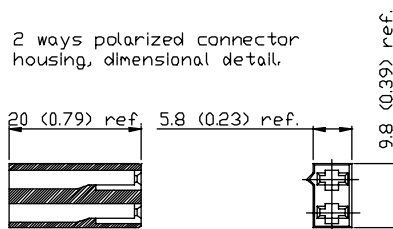
- 1) Tinned copper stranded cable, UL 758, Style 1558, AWG 22 (0.32 sqmm) lay 19 x 0.16, ETFE insulation yellow colour, ext. dia. 1.25 mm temp. rating 125°C.
- 2) Same as point 1, but with red colour insulation.
- 3) Receptacle faston terminal, for 2.8 x 0.8 tab (series 110) ref. PN. AMP 180420-2 or equivalent.
- 4) Faston cover for receptacle terminal series 2.8 in Nylon 66 material natural colour, temp. 105°C.

CATHODE AND GATE LEADS

Ident No.	Device Series	Description
6443.2119.AA	IRKT.. - IRKU.. - IRKV..	1 SX + 1 DX connectors with red and yellow leads
6443.2120.AA	IRKH.. - IRKN..	1 SX connector with red and yellow leads
6443.2121.AA	IRKL.. - IRKK..	1 DX connector with red and yellow leads

Components

- 1) Tinned copper stranded cable, UL 758, Style 1558, AWG 22 (0.32 sqmm) lay 19 x 0.16, ETFE insulation yellow colour, ext. dia. 1.25 mm, temp. rating 125°C.
- 2) Same as point 1. but with white colour insulation. Concerning the configurations in which white cable is requested, it must be connected where is not placed the polarization key.
- 3) Receptacle faston terminal with locking lance, for 2.8 x 0.8 tab (series 110) ref. PN. AMP 150571-2 or equivalent.
- 4) 2 ways polarized connector housing, as shown on dimensional detail (the represented version refers to left 'SX' conn. housing). Raw material: PBT Ciba Crastine SK645FR, black colour.
- 5) Connector housing as point 4), right 'DX' version.



All dimensions are in millimeters (inches)

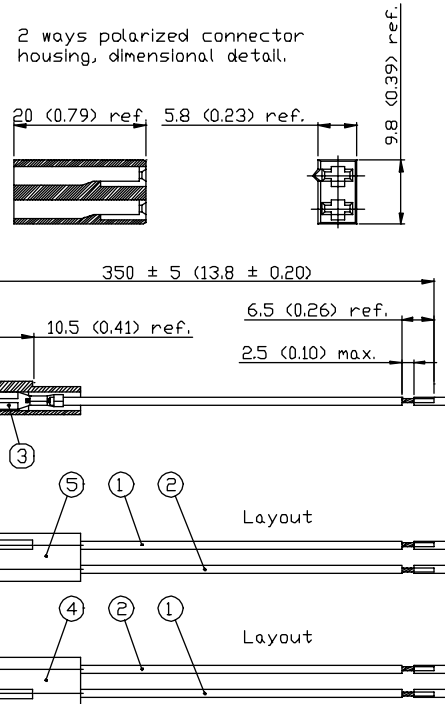
CATHODE AND GATE LEADS

Ident No.	Device Series	Description
6443.2119.AA	IRKT.. - IRKU.. - IRKV..	1 SX + 1 DX connectors with red and yellow leads
6443.2120.AA	IRKH.. - IRKN..	1 SX connector with red and yellow leads
6443.2121.AA	IRKL.. - IRKK..	1 DX connector with red and yellow leads

Components

- 1) Tinned copper stranded cable, UL 758, Style 1558, AWG 22 (0.32 sqmm) lay 19 x 0.16, ETFE insulation yellow colour, ext. dia. 1.25 mm, temp. rating 125°C.
- 2) Same as point 1, but with white colour insulation. Concerning the configurations in which white cable is requested, it must be connected where is not placed the polarization key.
- 3) Receptacle faston terminal with locking lance, for 2.8 x 0.8 tab (series 110) ref. PN. AMP 150571-2 or equivalent.
- 4) 2 ways polarized connector housing, as shown on dimensional detail (the represented version refers to left 'SX' conn. housing). Raw material: PBT Ciba Crastine SK645FR, black colour.
- 5) Connector housing as point 4), right 'DX' version.

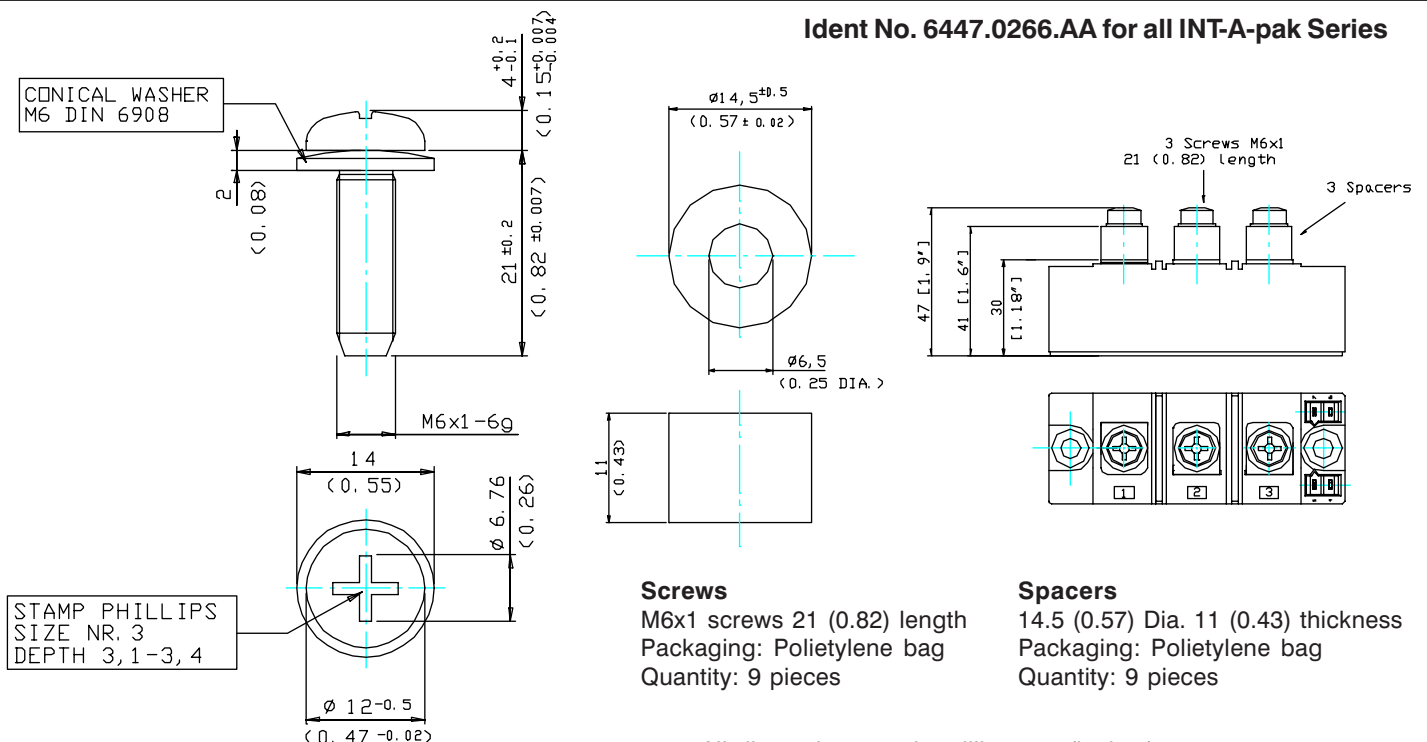
2 ways polarized connector housing, dimensional detail.



All dimensions are in millimeters (inches)

SCREWS AND SPACERS

Ident No. 6447.0266.AA for all INT-A-pak Series



Screws

M6x1 screws 21 (0.82) length
Packaging: Polyethylene bag
Quantity: 9 pieces

Spacers

14.5 (0.57) Dia. 11 (0.43) thickness
Packaging: Polyethylene bag
Quantity: 9 pieces

All dimensions are in millimeters (inches)